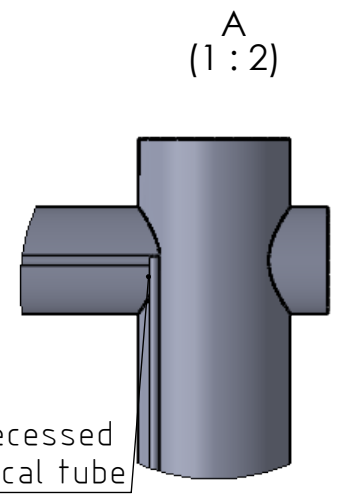
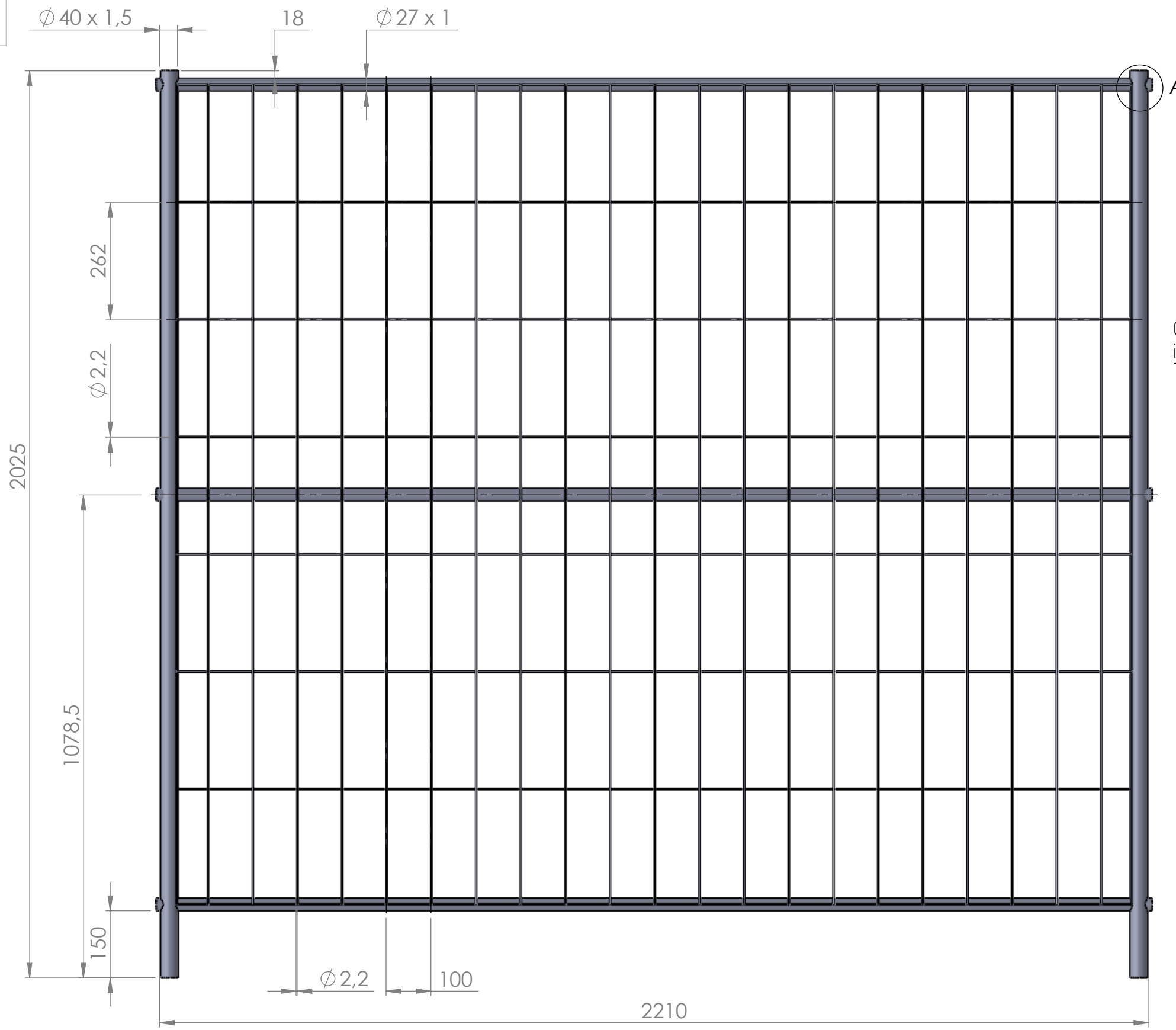
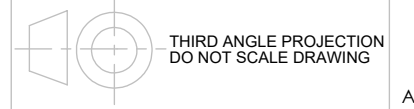
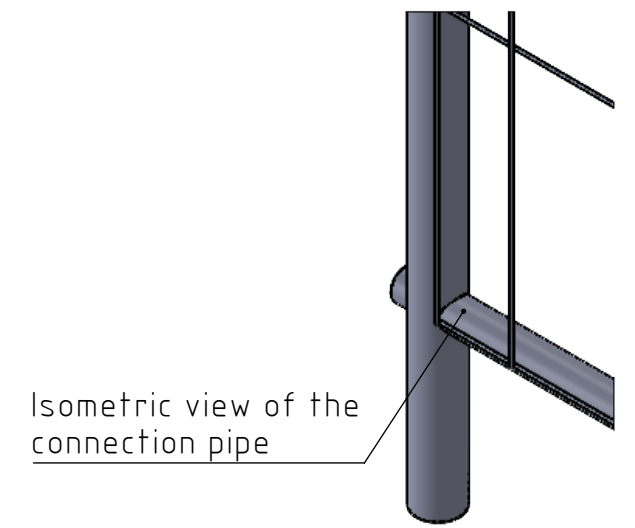


ALL DIMENSIONS IN MILLIMETERS



Cross tube recessed into the vertical tube



Isometric view of the connection pipe

TITLE: BVS Euro 27 DUO 3 H Ausgleich / compositing				
DRAWN	NAME	SGN	DATE	WEIGHT:
CHK'D	BINCZAK		30/08/24	18 kg
FINISH:	HOT DIPPED GALVANISED		TOLERANCE:	±5%

CODE: 10071.3

Revision

SCALE: 1:10

SHEET 1 OF 1

A3