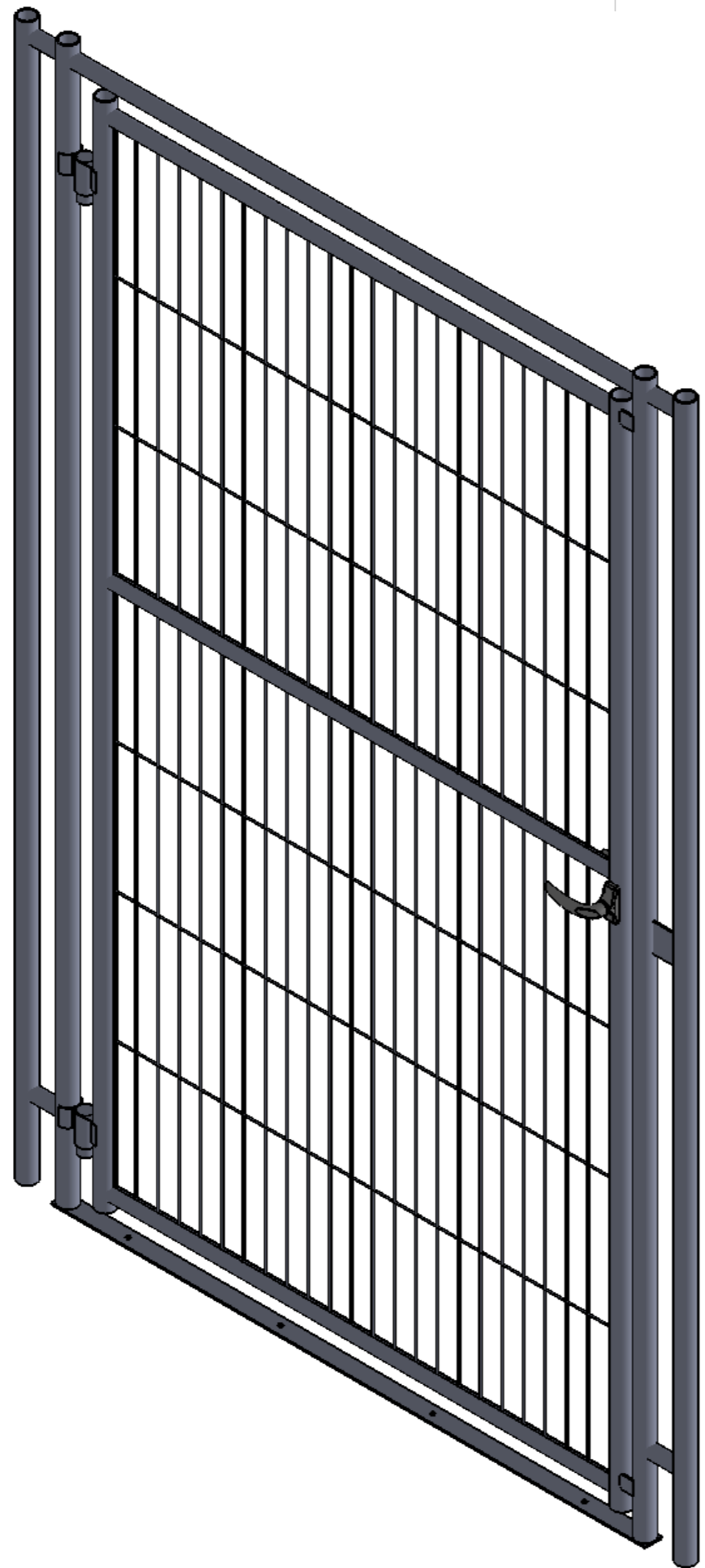
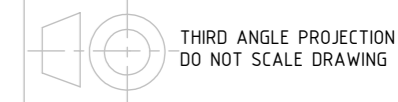
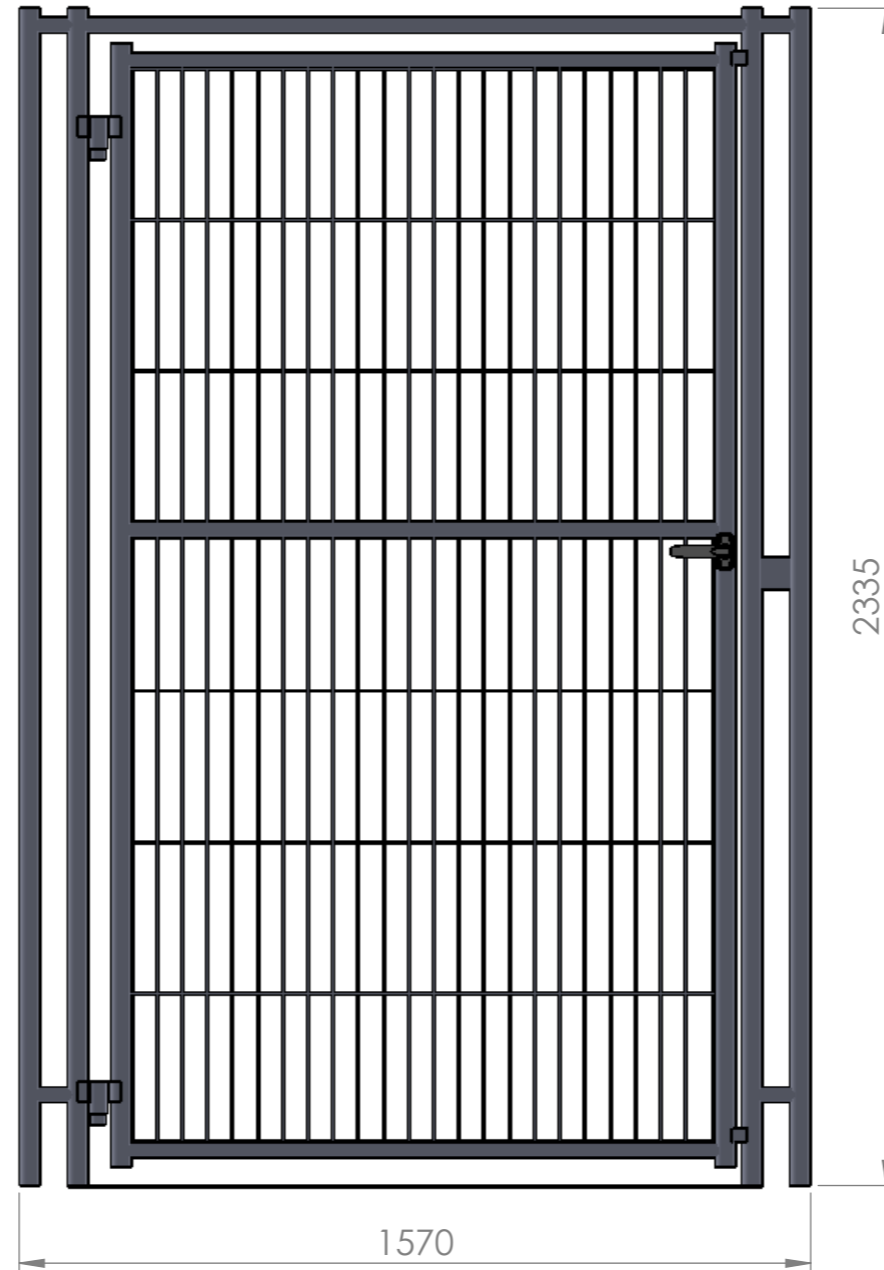
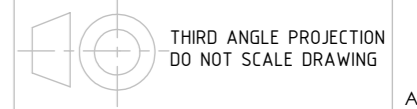


ALL DIMENSIONS IN MILLIMETERS



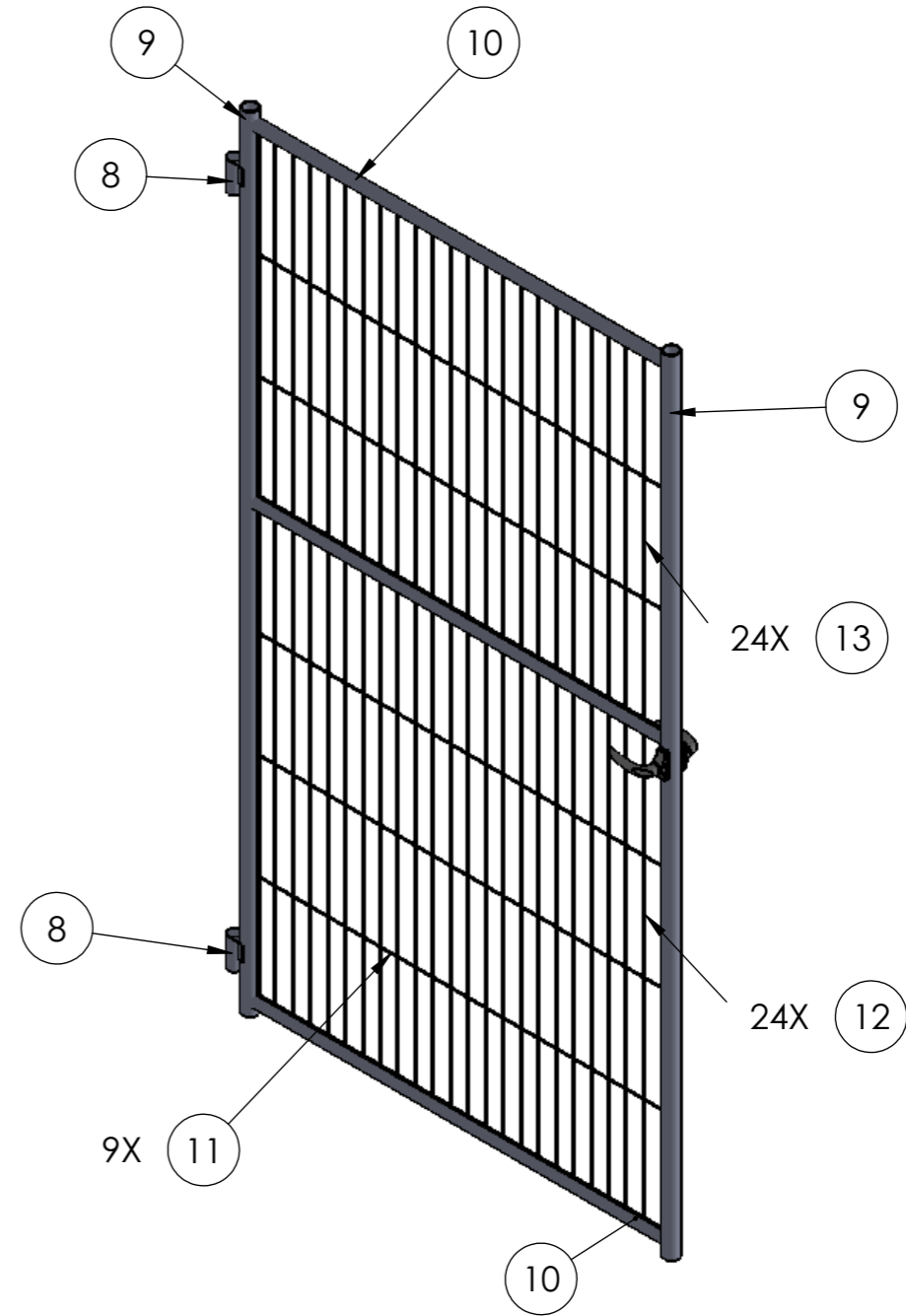
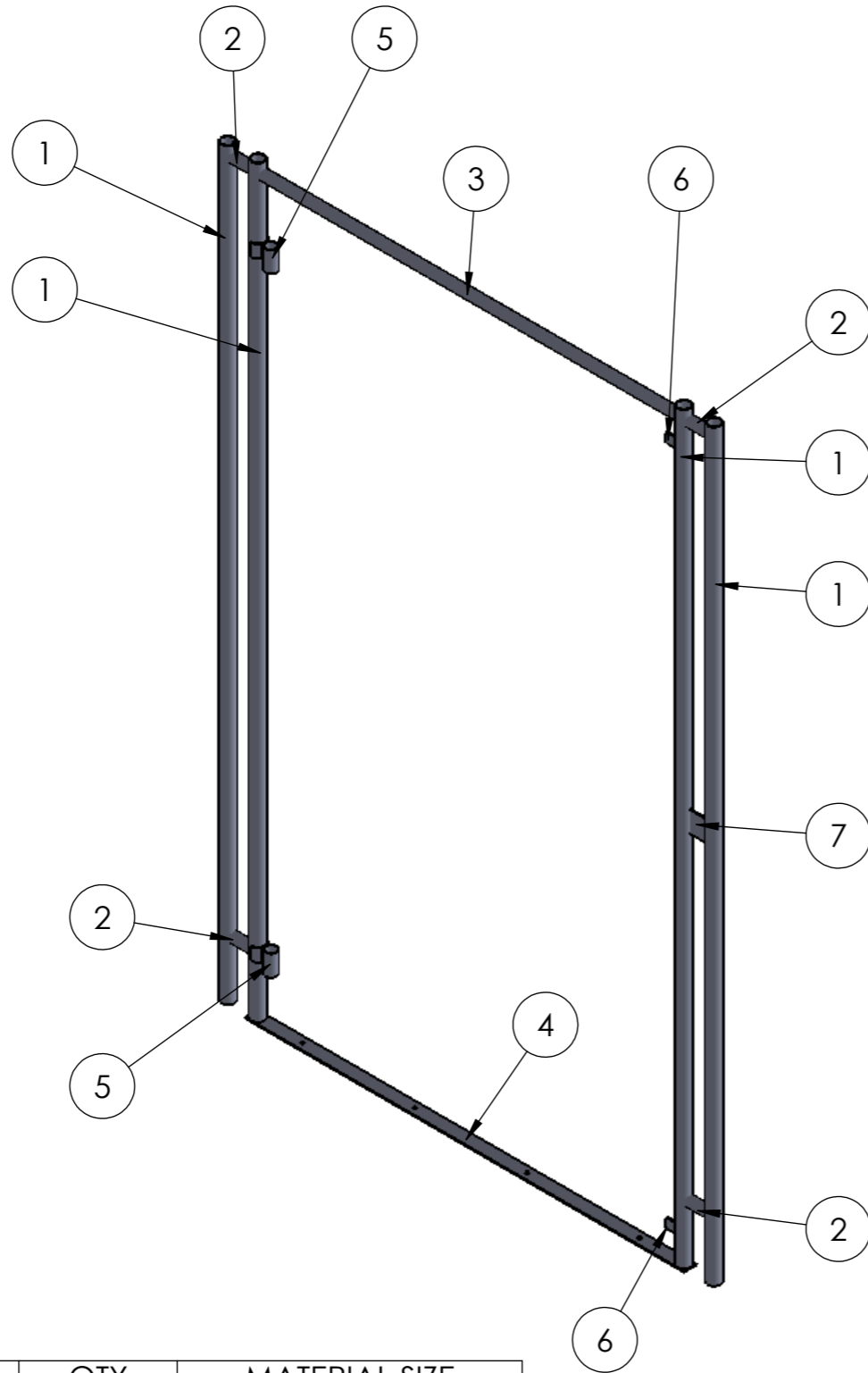
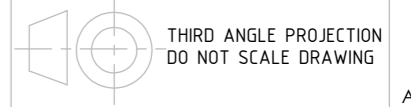
TITLE:				PEDESTRIAN GATE PROFI				
DRAWN	NAME	SIGNATURE	DATE	MATERIAL:				
CHK'D	BIŃCZAK		10/10/18					
FINISH:		HOT DIPPED GALVANISED		TOLERANCE:	±5%	CODE:	10028.3	Revision
SCALE: 1:10						SHEET 1 OF 8		A3

ALL DIMENSIONS IN MILLIMETERS



TITLE:				PEDESTRIAN GATE PROFI			
	NAME	SIGNATURE	DATE	MATERIAL:			
DRAWN	BIŃCZAK		10/10/18				
CHK'D							
FINISH:	HOT DIPPED GALVANISED		TOLERANCE:	±5%	CODE:	10028.3	
				SCALE: 1:15	SHEET 2 OF 8	Revision	

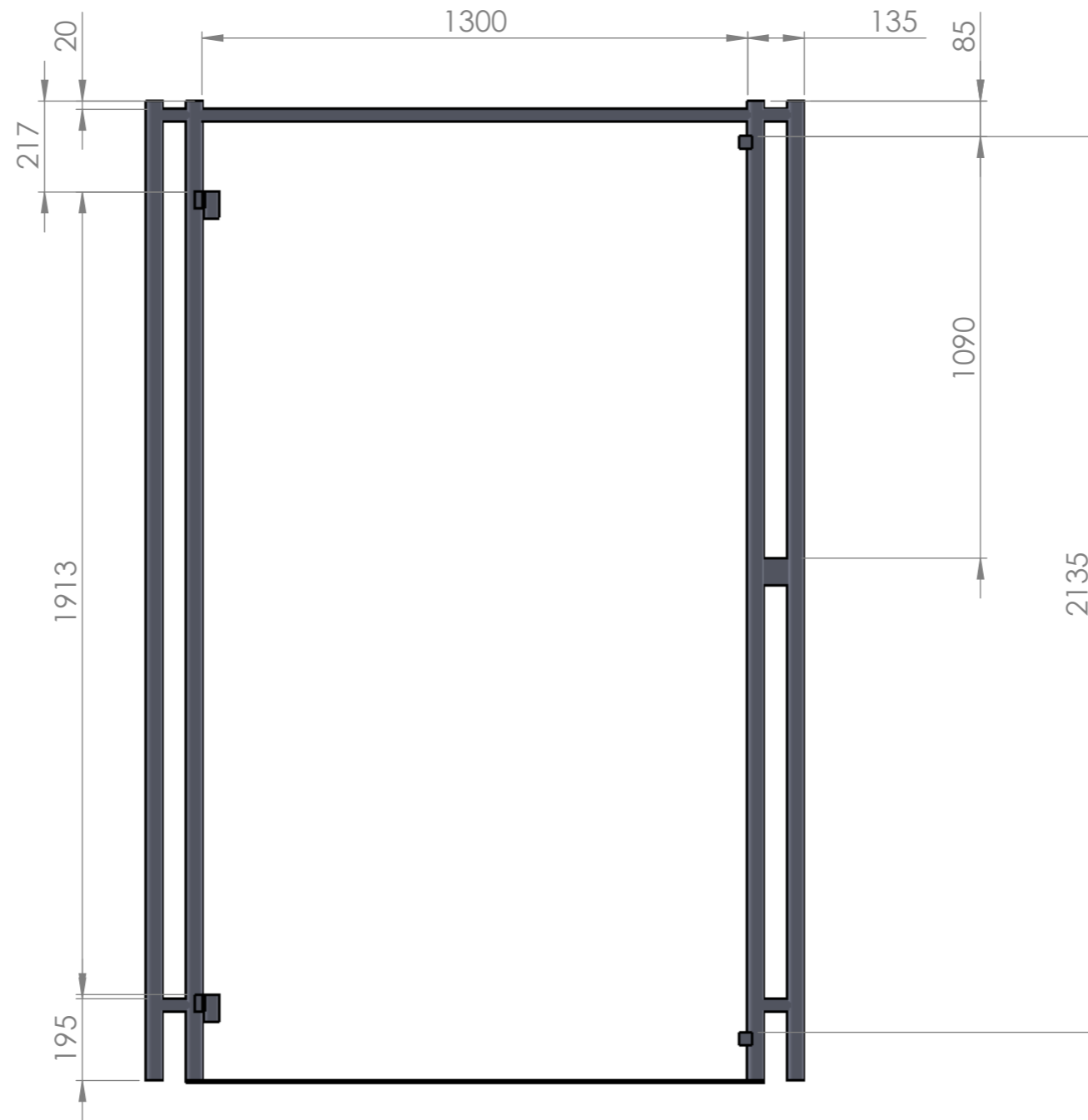
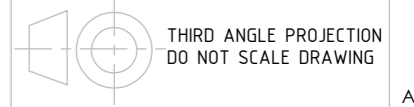
ALL DIMENSIONS IN MILLIMETERS



ITEM No.	DESCRIPTION	QTY	MATERIAL SIZE
1	TUBE 1	4	40 x 3 2335 Lg
2	TUBE 2	4	30 x 3 55 Lg
3	TUBE 3	1	30 x 3 1300 Lg
4	FLAT PLATE 1	1	SEE DETAILS
5	HINGE 1	2	SEE DETAILS
6	FLAT PLATE 2	2	30 x 4 FLAT x 30 Lg
7	FLAT PLATE 3	1	65 x 4 FLAT x 55 Lg
8	HINGE 2	2	SEE DETAILS
9	TUBE 4	2	40 x 3 22300 Lg
10	TUBE 5	2	30 x 3 1160 Lg
11	TUBE 6	9	3 x 1160 Lg
12	TUBE 7	24	3 x 1200 Lg
13	TUBE 8	24	3 x 900 Lg

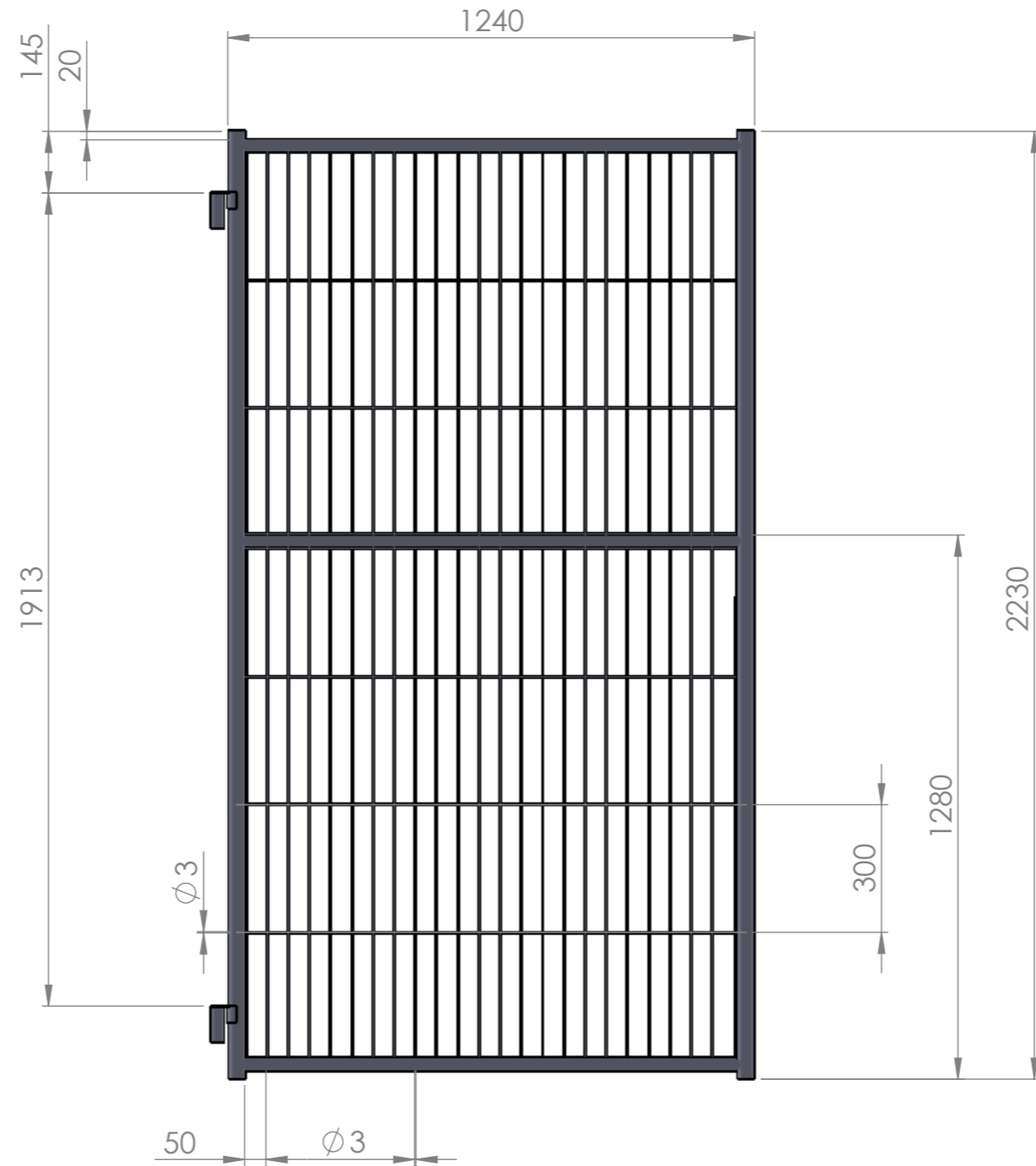
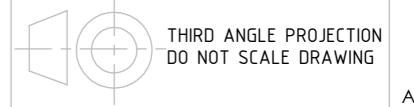
TITLE: PEDESTRIAN GATE PROFI					
NAME	SIGNATURE	DATE	MATERIAL:		
DRAWN BIŃCZAK		10/10/18			
CHK'D					
FINISH: HOT DIPPED GALVANISED	TOLERANCE: ±5%	CODE:	10028.3	Revision	
SCALE: 1:15			SHEET 3 OF 8		A3

ALL DIMENSIONS IN MILLIMETERS

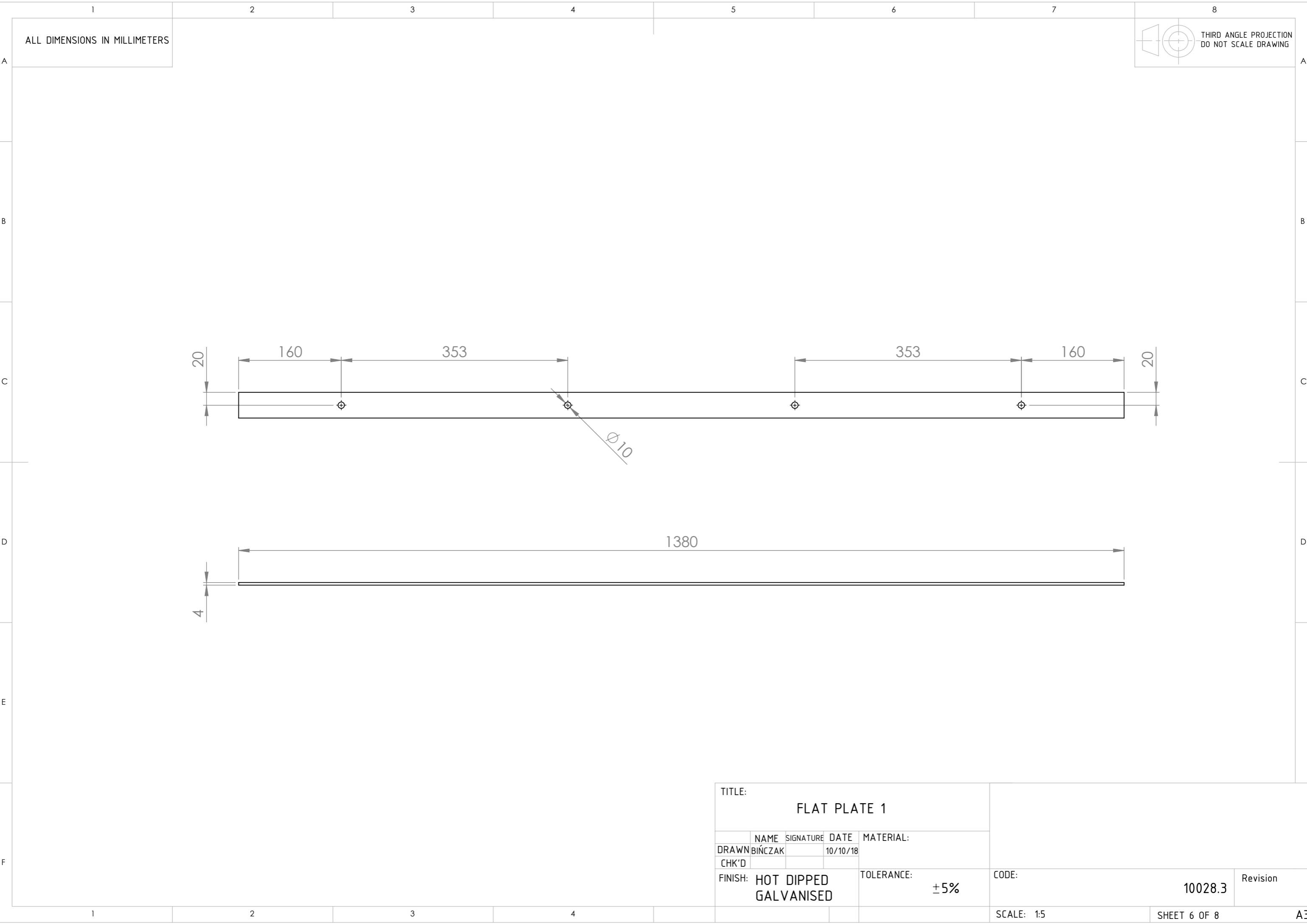


TITLE:				PEDESTRIAN GATE PROFI			
DRAWN		NAME	SIGNATURE	DATE	MATERIAL:		
CHK'D		BIŃCZAK		10/10/18			
FINISH: HOT DIPPED GALVANISED			TOLERANCE: ±5%		CODE:	Revision	
					10028.3		
SCALE: 1:15				SHEET 4 OF 8		A3	

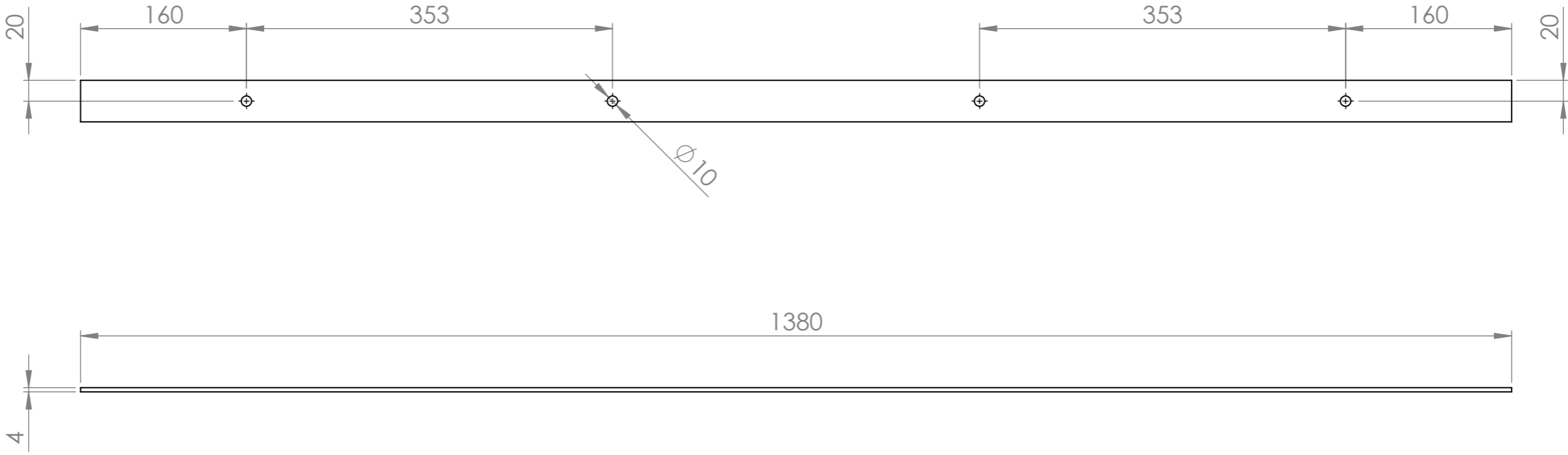
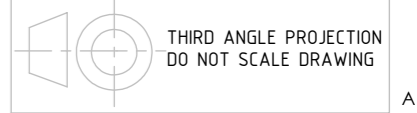
ALL DIMENSIONS IN MILLIMETERS



TITLE:				PEDESTRIAN GATE PROFI			
DRAWN	NAME	SIGNATURE	DATE	MATERIAL:			
CHK'D	BIŃCZAK		10/10/18				
FINISH:		HOT DIPPED GALVANISED		TOLERANCE:		±5%	
				CODE:		10028.3	
				Revision			
				SCALE: 1:15		SHEET 5 OF 8	
						A3	

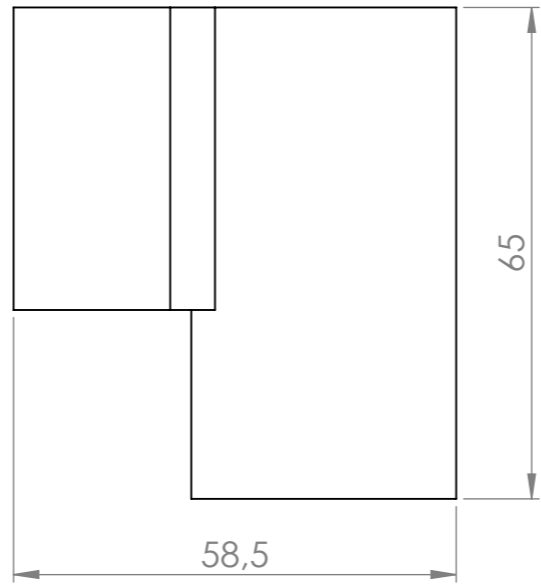
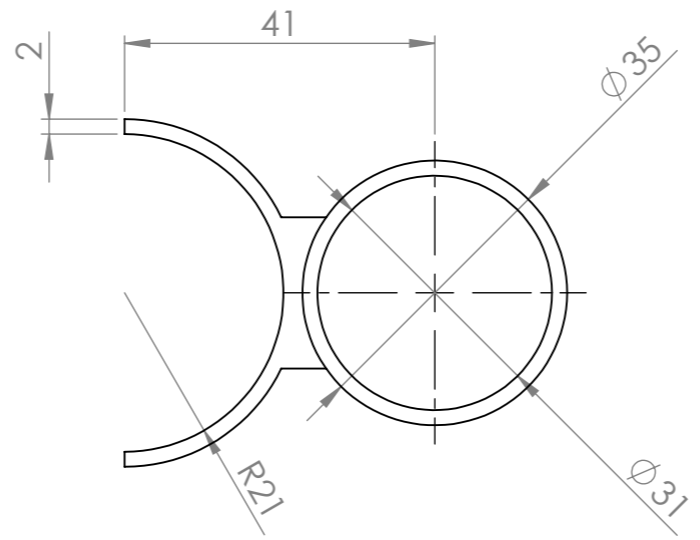
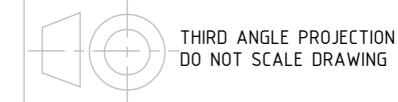


ALL DIMENSIONS IN MILLIMETERS

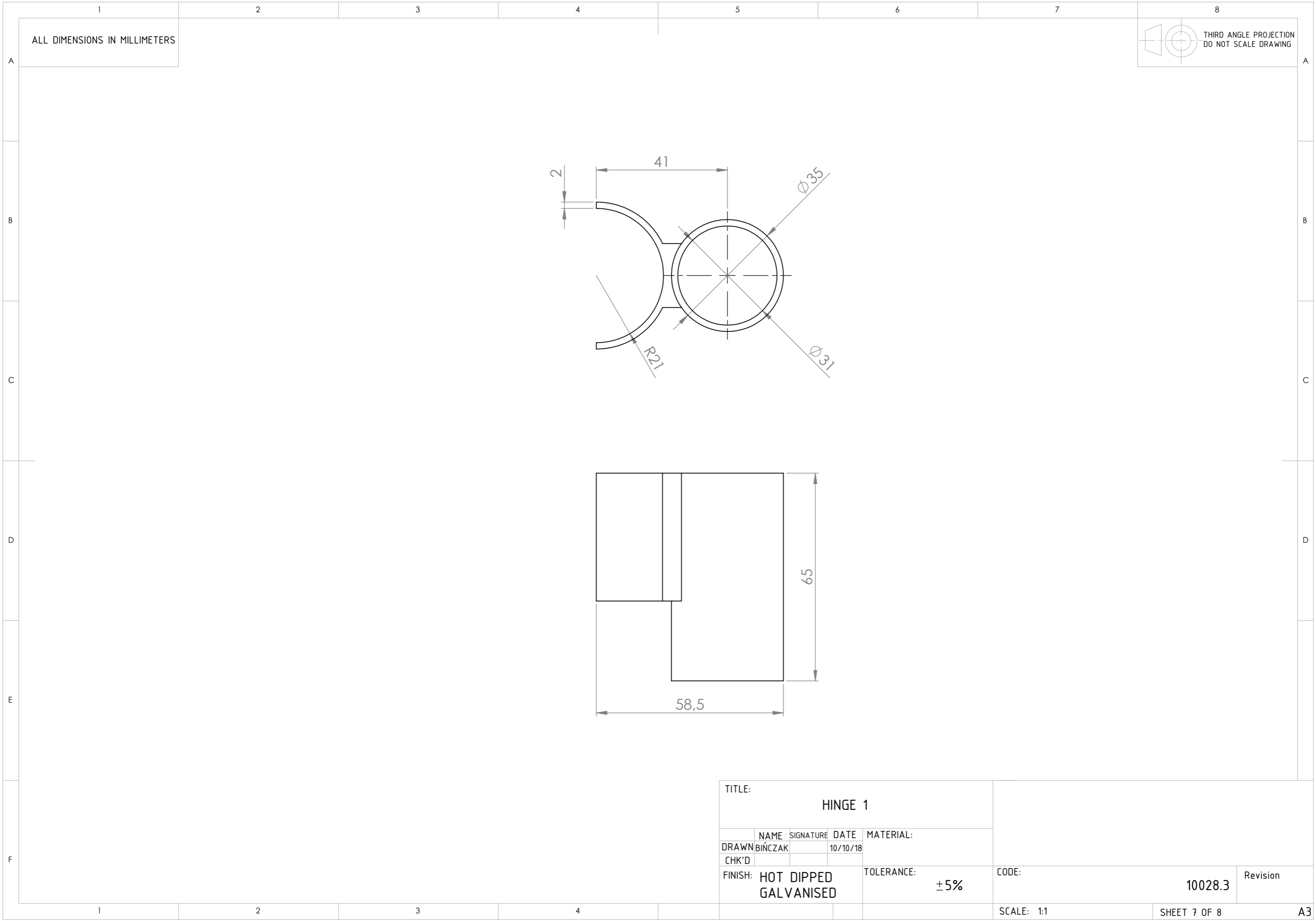


TITLE:				FLAT PLATE 1			
DRAWN	NAME	SIGNATURE	DATE	MATERIAL:			
CHK'D	BIŃCZAK		10/10/18				
FINISH:			TOLERANCE:		CODE:		Revision
HOT DIPPED GALVANISED			±5%		10028.3		
SCALE: 1:5						SHEET 6 OF 8	

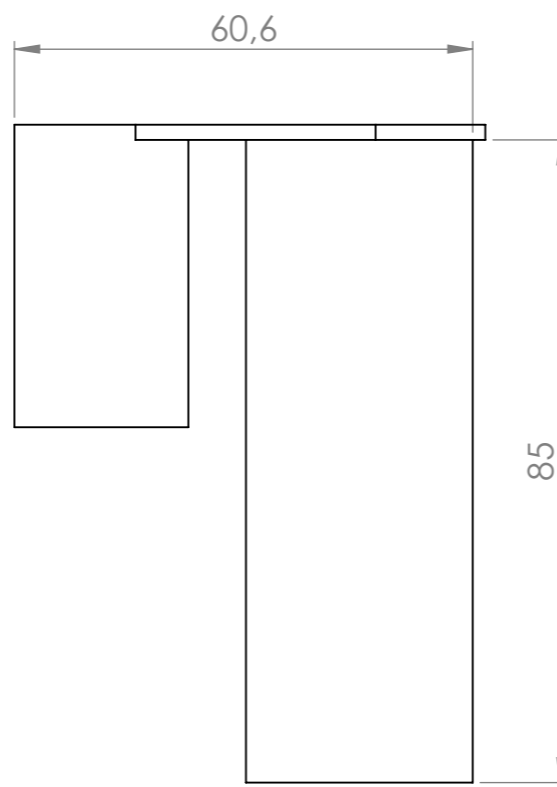
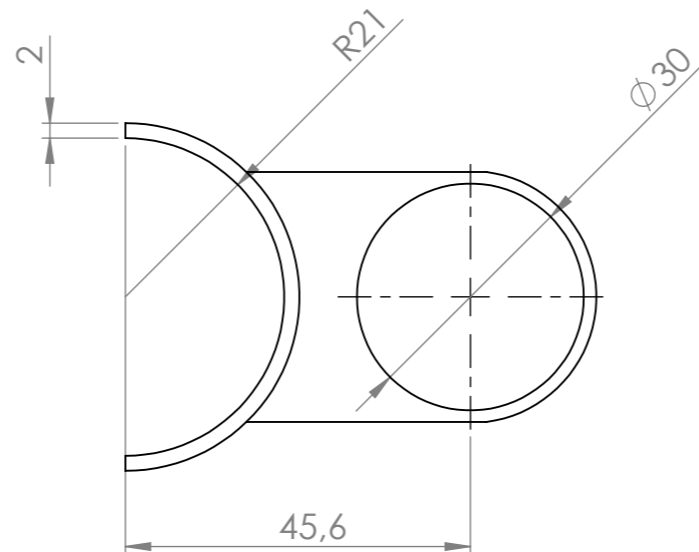
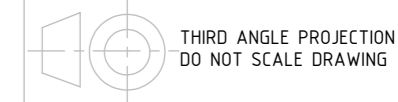
ALL DIMENSIONS IN MILLIMETERS



TITLE:				HINGE 1			
NAME	SIGNATURE	DATE	MATERIAL:				
DRAWN	BIŃCZAK	10/10/18					
CHK'D							
FINISH: HOT DIPPED GALVANISED			TOLERANCE: ±5%		CODE: 10028.3		Revision
SCALE: 1:1						SHEET 7 OF 8	



ALL DIMENSIONS IN MILLIMETERS



TITLE:				HINGE 2			
	NAME	SIGNATURE	DATE	MATERIAL:			
DRAWN	BIŃCZAK		10/10/18				
CHK'D							
FINISH:	HOT DIPPED GALVANISED		TOLERANCE:	±5%	CODE:	10028.3	Revision
SCALE: 1:1					SHEET 8 OF 8		A3