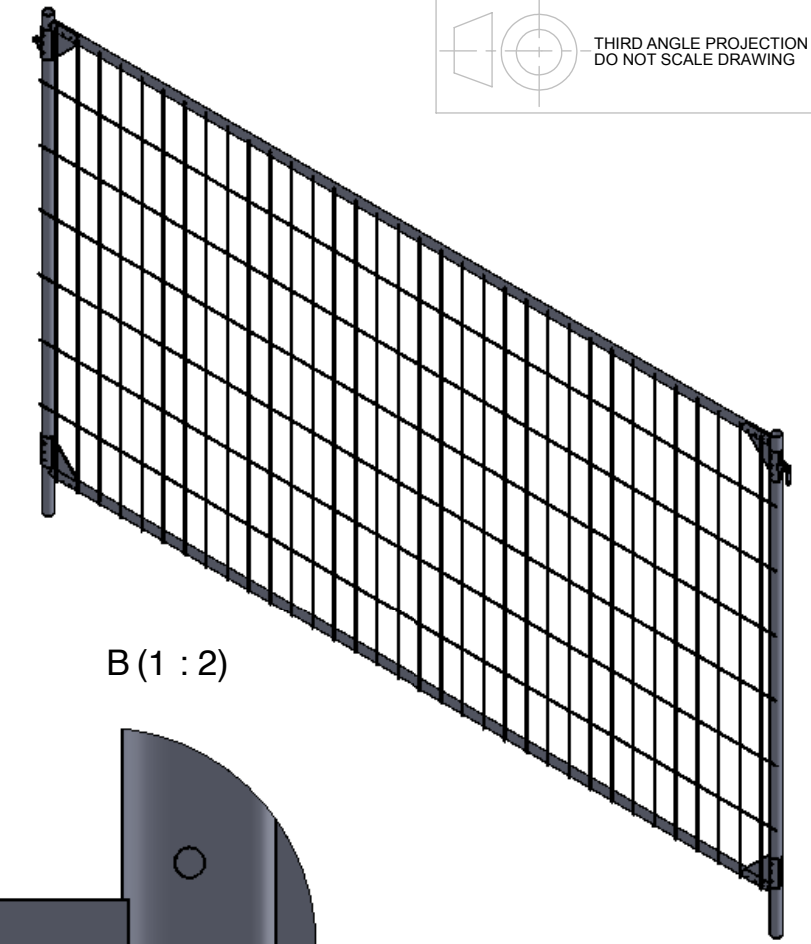
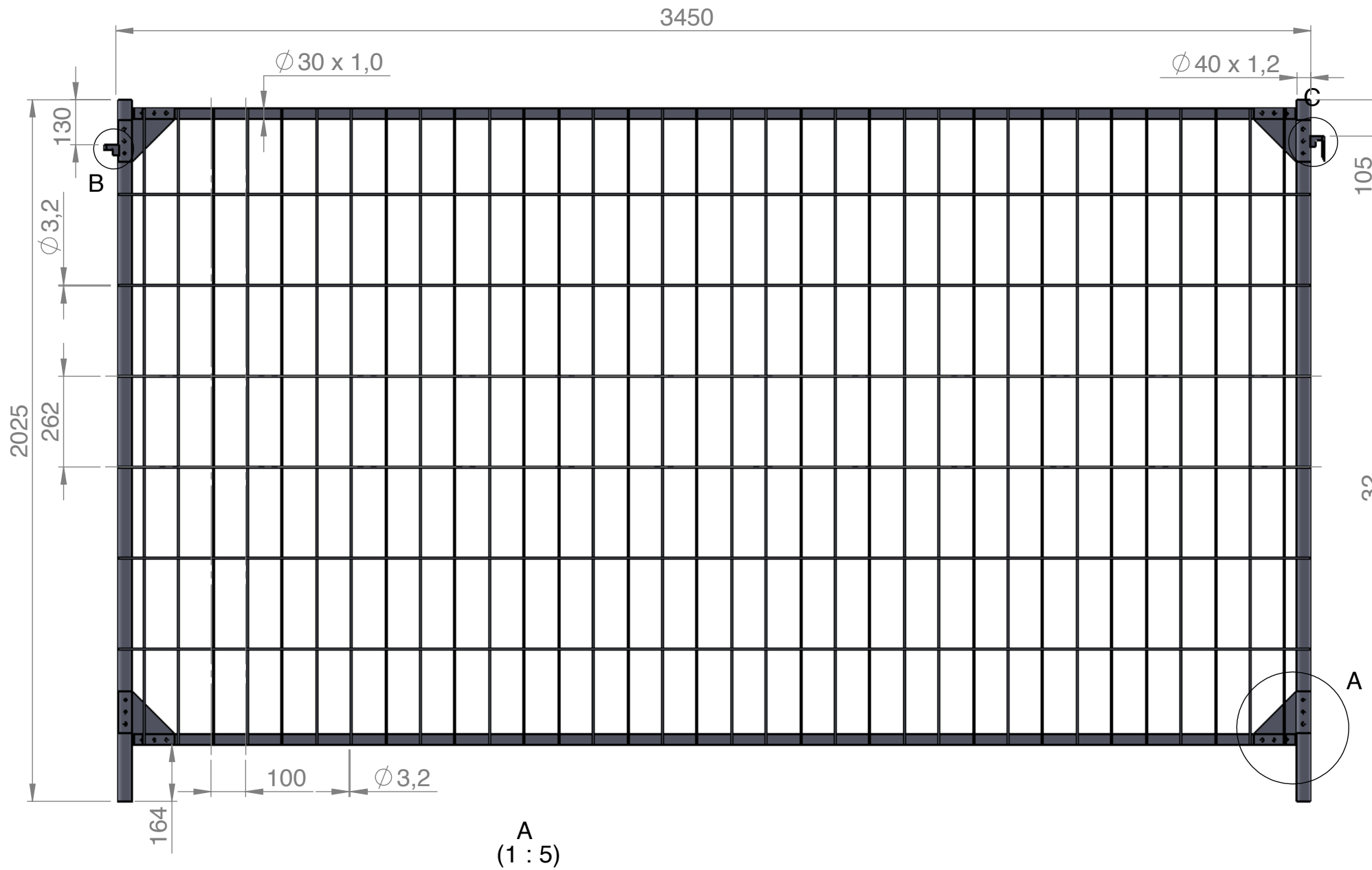
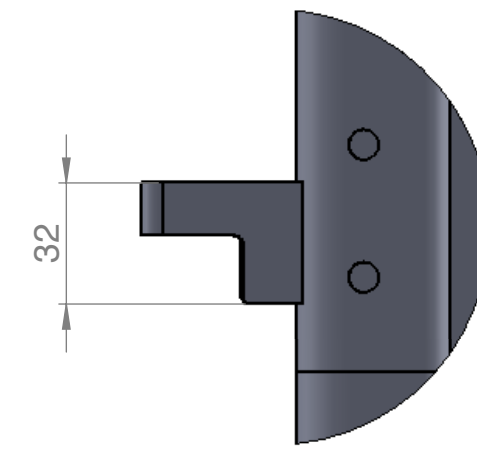


ALL DIMENSIONS IN MILLIMETERS

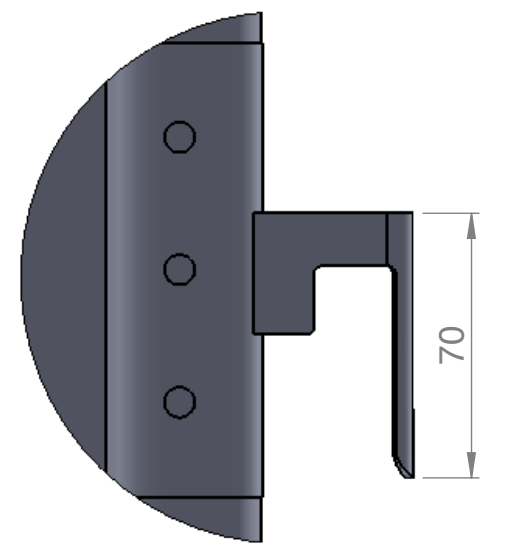
THIRD ANGLE PROJECTION
DO NOT SCALE DRAWING



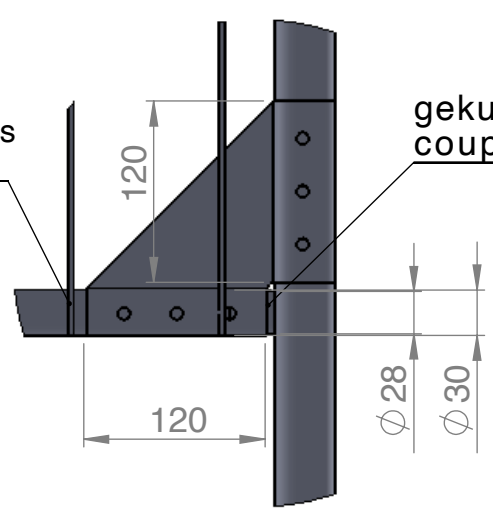
B (1 : 2)



C (1 : 2)



A (1 : 5)



alle Drähte auf dem Rahmen geschweisst
all wires welded on the frame

gekuppte Rohre für optimale Verbindung
coupled tubes

TITLE:				BVS Euro 30 CP HaÖs	
NAME	SGN	DATE	WEIGHT:	15,5 kg	
DRAWN BIŃCZAK		07/06/22			
CHK'D					
FINISH:	PRE GALVANISED		TOLERANCE:	±5%	

CODE:	10095.2	Revision
SCALE: 1:15	SHEET 1 OF 1	A3