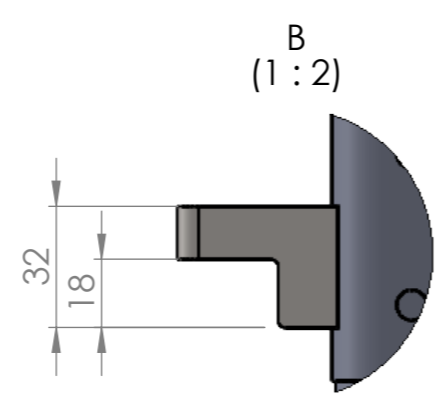
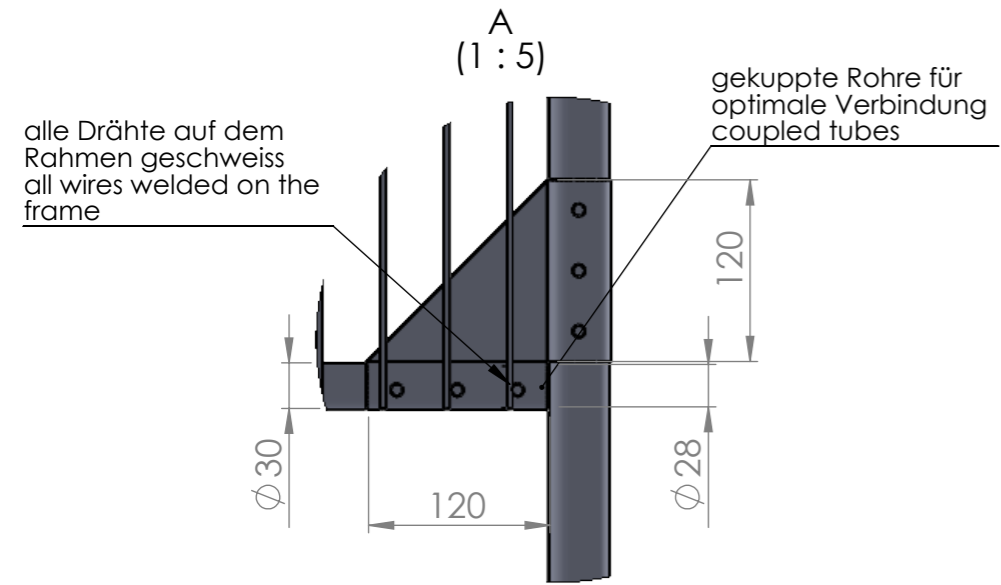
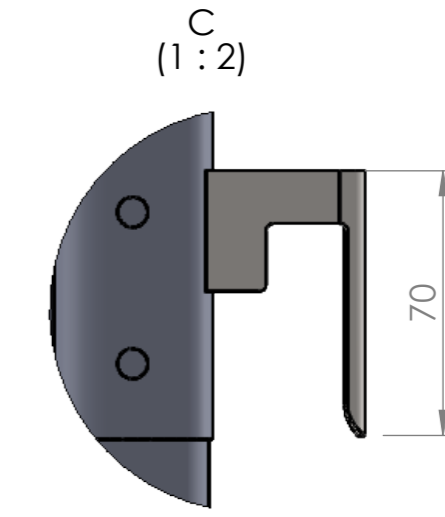
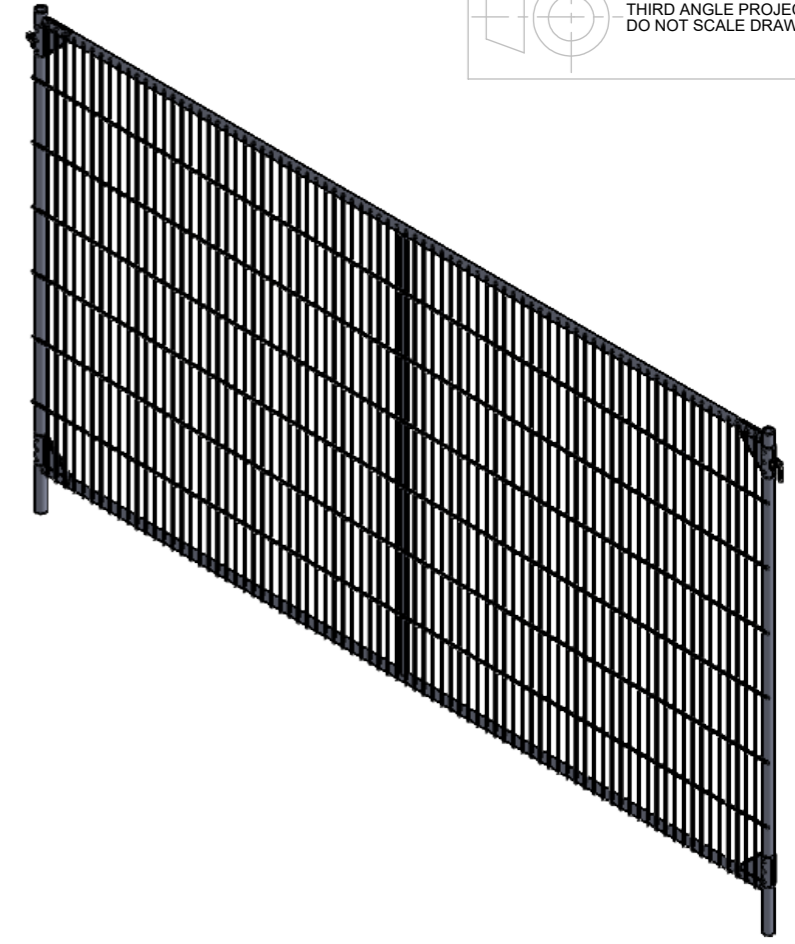
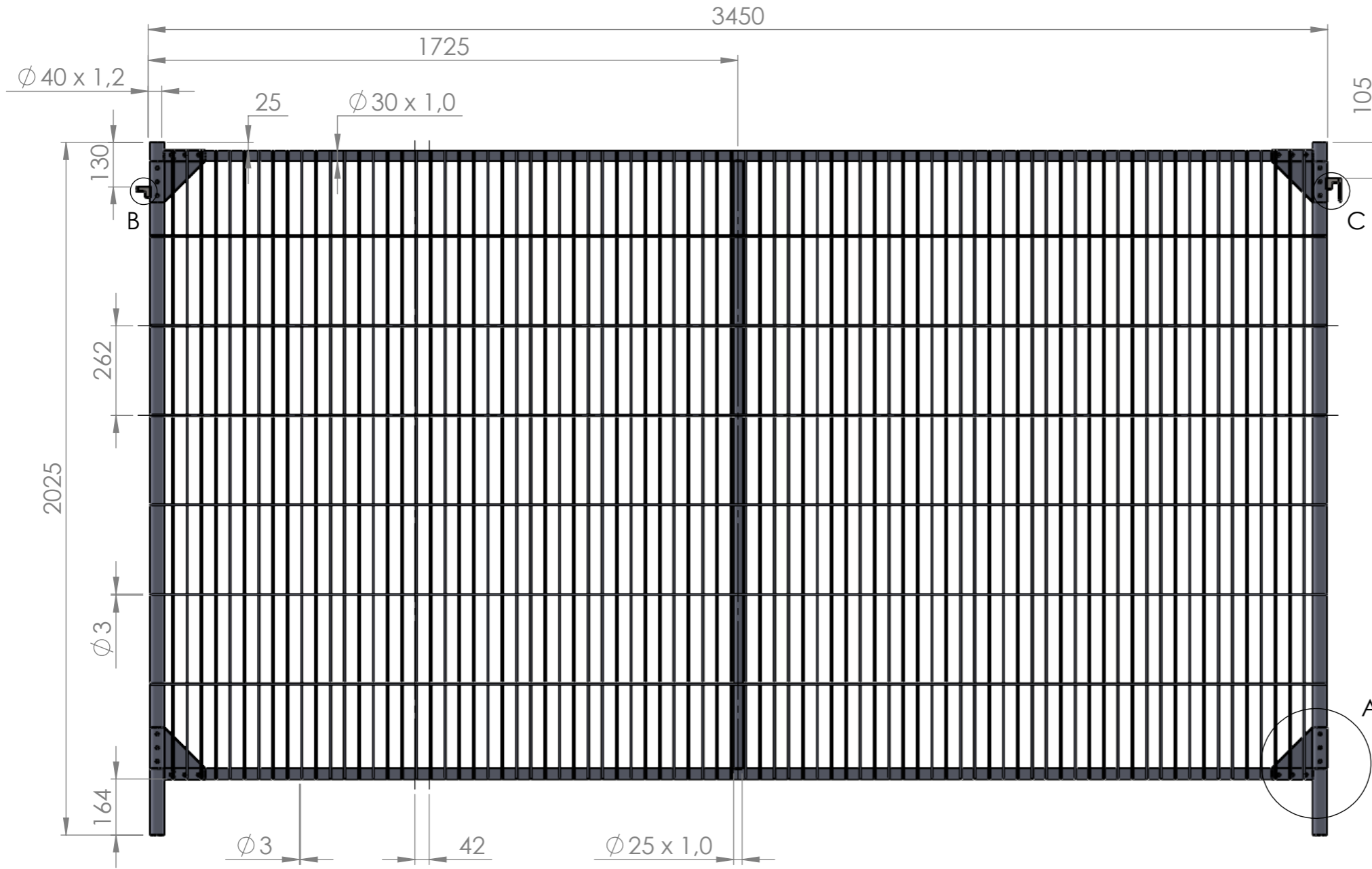
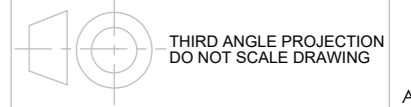


ALL DIMENSIONS IN MILLIMETERS



TITLE:		BVS Euro 30 CP AC 3V HaOS			
DRAWN	NAME	SGN	DATE	WEIGHT:	
CHK'D	BINCZAK		07/08/23	20 kg	
FINISH:	HOT DIPPED GALVANISED		TOLERANCE:	±5%	
SCALE: 1:15				CODE:	10089.2
SHEET 1 OF 1				revision	

A
B
C
D
E
F

A
B
C
D
E
F