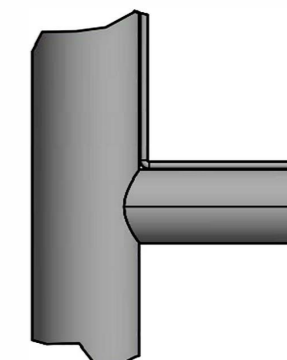
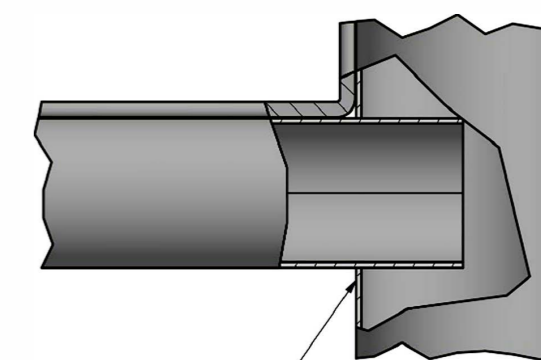


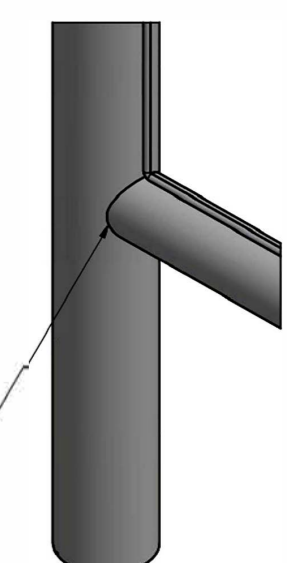
A ( 1:2 )



B ( 1:1 )

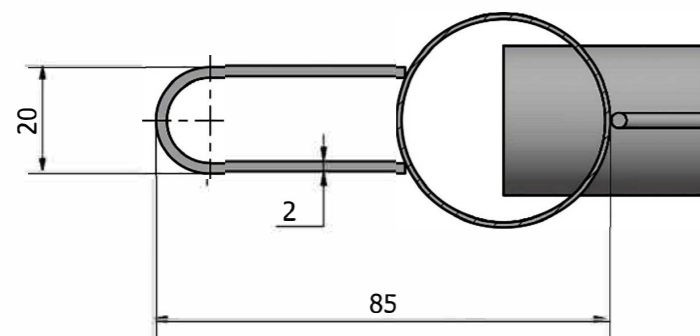


Horizontal pipe in a vertical pipe

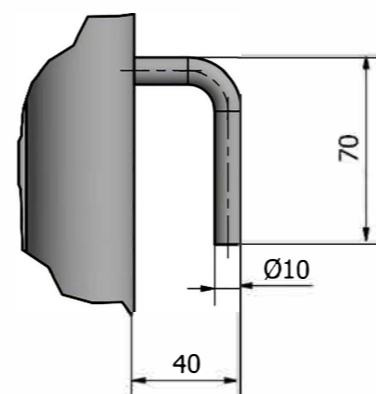


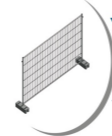
Isometric view of the connection pipe

C-C ( 1:1 )



D ( 1:2 )



 <b>BVS Polska</b> Alicja Karaczun	Finish: Hot dipped galvanised	Zubehör : Profi Exklusiv 3,5 0 x 2,00	CODE : <b>10076.0</b>
	Tolerance : ±5%	Drawn :	
	Weight: 19 kg	Date: 28-06-2015	