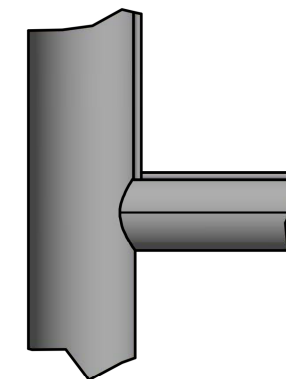
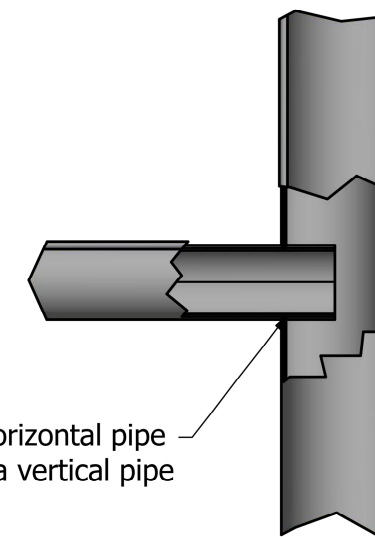


A (1 : 2)

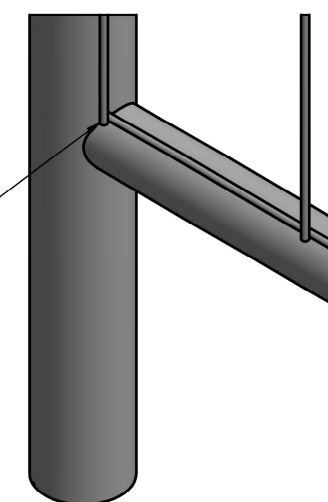


B (1 : 2)

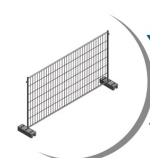


Horizontal pipe
in a vertical pipe

B



Isometric view of the connection pipe



BVS Polska

Alicja Karaczun

Finish: Pre galvanised	Tolerance : $\pm 5\%$	Drawn :	Zubehör : Profi economy 3,50 x 2,00
	Weight: 12 kg	Date: 29-04-2015	CODE :10069