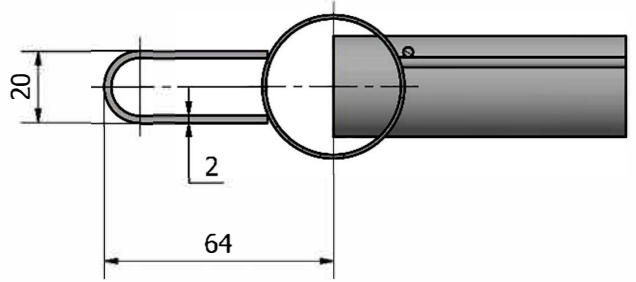
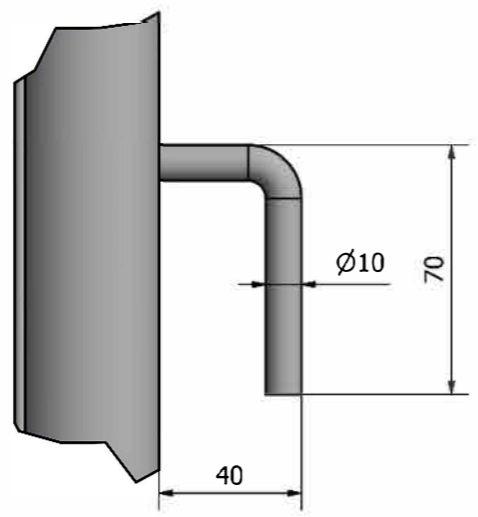


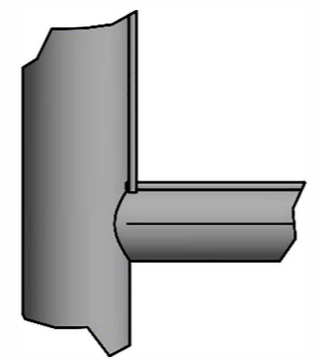
C-C



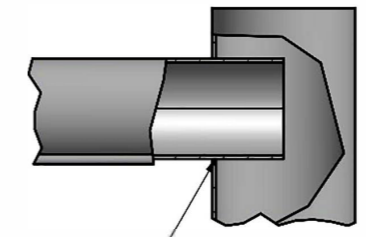
D



E

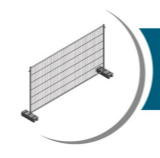
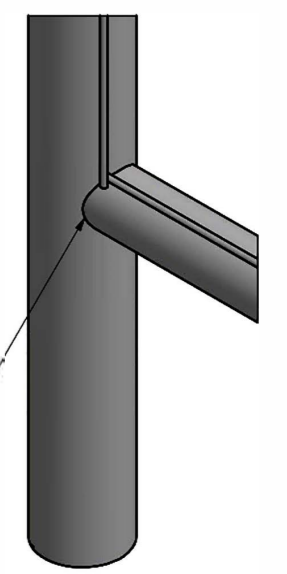


F



Horizontal pipe in a vertical pipe

Isometric view of the connection pipe



BVS Polska

Alicja Karaczun

Finish: Hot dipped galvanised

Tolerance : ±5%

Weight: 12 kg

Zubehör : Profi Business 3,5 x 1,2

Drawn :

Date: 29-04-2015

CODE :

10042