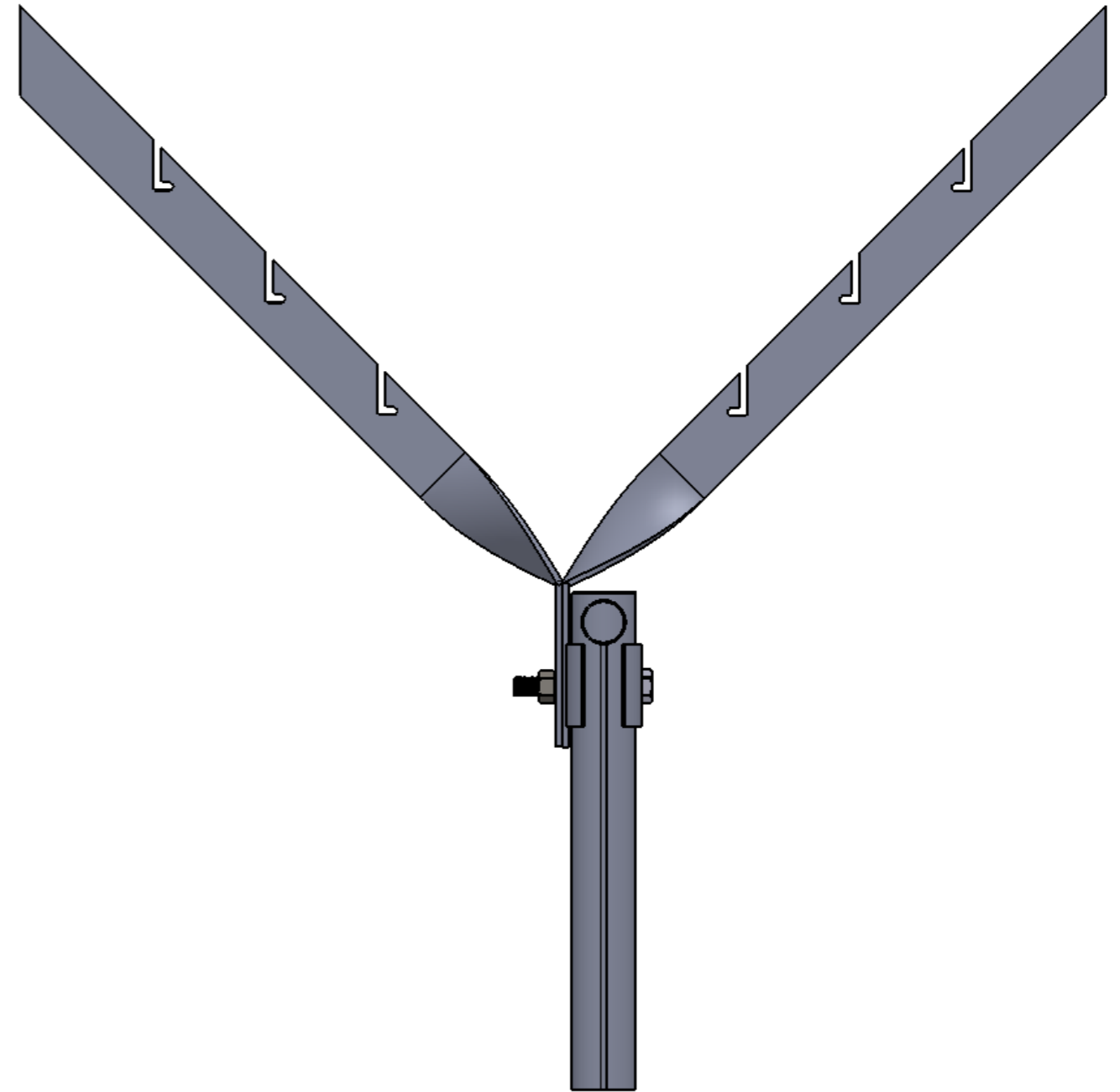
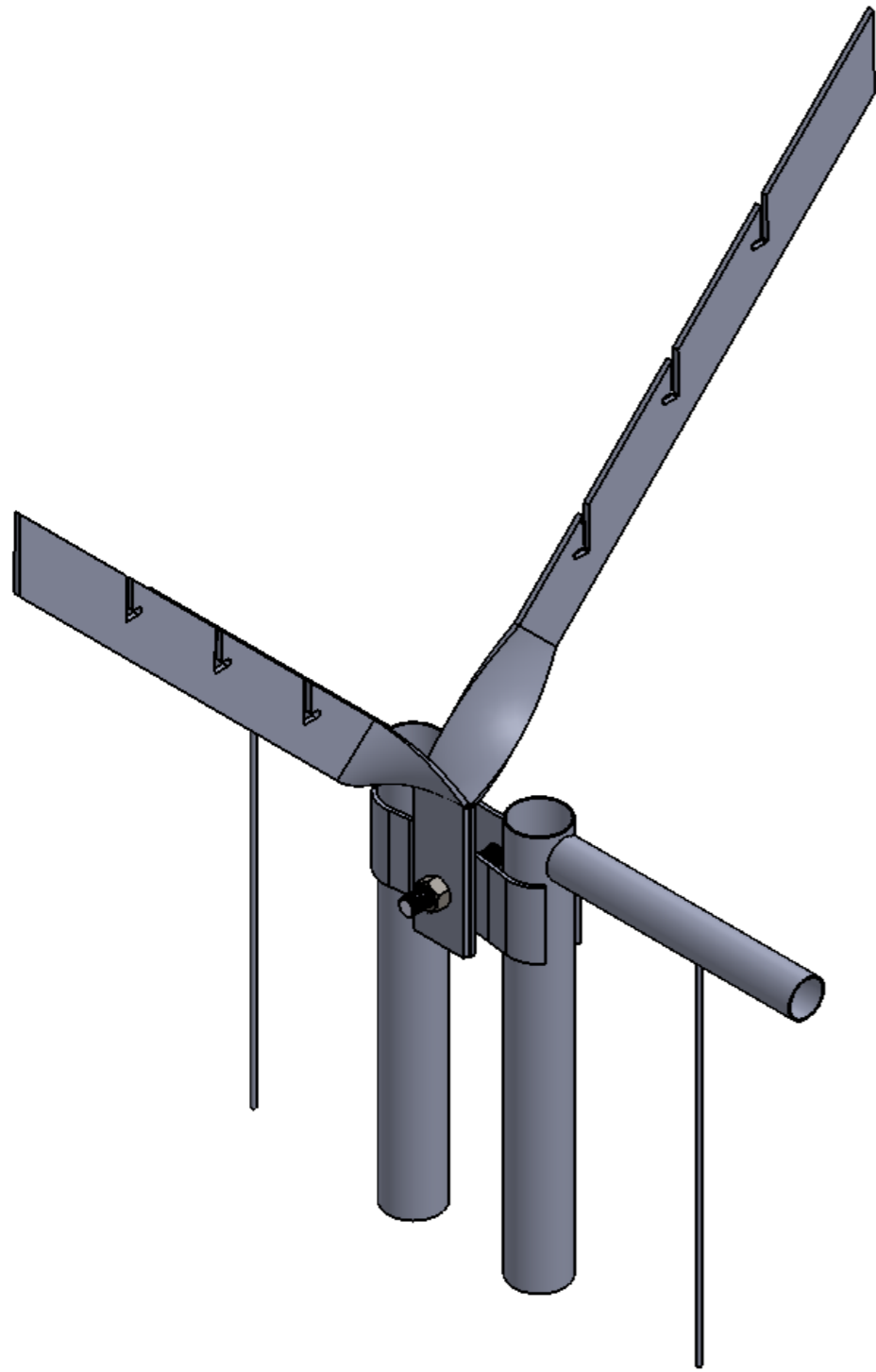


ALL DIMENSIONS IN MILLIMETERS



TITLE:							
	NAME	SIGNATURE	DATE	MATERIAL:			
DRAWN	BIŃCZAK		29/9/17				
CHK'D							
FINISH:	HOT DIPPED GALVANISED		TOLERANCE:	±5%	CODE:	10009.1	Revision
					SCALE: 1: 4	SHEET 1 OF 2	A3